



BluePack WIRELESS INTERVIEW TOOL

FEATURES

- Bluetooth Wireless Technology
- XLR Mic Input
- 3.5 mm Stereo Line Input
- 3.5 mm Stereo Line Output
- 1/4" Stereo Headphone Jack
- >10 Hours on one 9 Volt Alkaline Battery

BluePack allows live man-on-the-street interviews through a cell phone equipped with *Bluetooth* Wireless Technology. This sleek belt pack provides a professional look and feel to field reporters and remote talent.

BluePack pairs to your cell phone like a *Bluetooth* wireless headset. This professional microphone preamp and powerful headphone amplifier make sure the message gets through. A 3.5 mm stereo line input jack allows recordings to be mixed into the broadcast.

The 3.5 mm stereo line output jack provides your full bandwidth microphone signal on the left channel and Bluetooth audio on the right channel. Like any phone call, live interviews are limited to 3.4 kHz voice bandwidth back to the station. This stereo output jack allows you to make a full bandwidth recording using your favorite recorder for transfer back at the station or over the web.

The stereo headphone output gives you a mix of the XLR microphone input, 3.5 mm input, and Bluetooth audio. This powerful 1/2 watt stereo headphone amplifier will cut through any crowd noise. BluePack also pairs to *Bluetooth* equipped sound cards and music players in full bandwidth stereo A2DP mode.



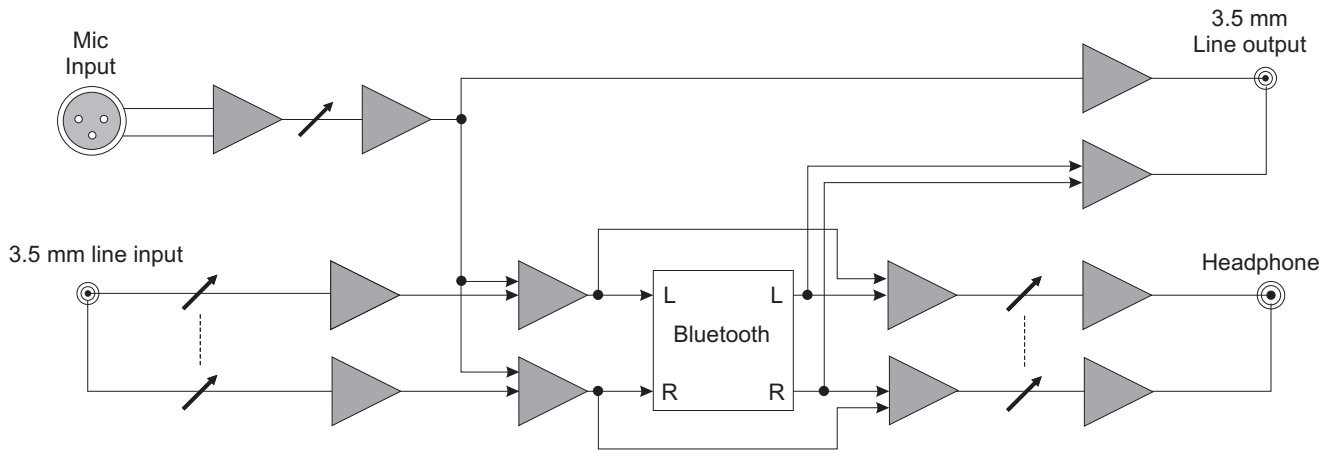
JK Audio

BluePack

WIRELESS INTERVIEW TOOL



BACK VIEW



Specifications

	Input		Output	
	Female XLR Microphone	3.5mm Stereo	3.5mm Stereo	Headphones 1/4"
Impedance:	2k ohms	20 k ohms	100 ohms	8 ohms
Level (Line):	-35 dBu nom	-10 dBu nom	-10 dBu nom Left = Mic at line level Right = <i>Bluetooth</i> return	1/2 watt per channel

Bluetooth

Standard:	<i>Bluetooth</i> 2.0	Frequency Response:	Headset mode (phone): 300 Hz - 3400 Hz Headphone mode: 30Hz - 17 kHz
Distance:	25 feet (8 meters)	Size:	4.7" x 3.75" x 1.65" (12 x 9.5 x 4.2 cm)
		Weight:	10 ounces (275 grams)

The *Bluetooth* word mark and logos are owned by the *Bluetooth* SIG, Inc. and any use of such marks by JK Audio, Inc. is under license. Other trademarks and trade names are those of their respective owners.